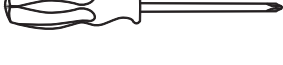


# TWIN-MOTOR GEARBOX KIT

- ◆ Two motor and gear sets to have wheels running in different direction.
- ◆ 3 kinds gear ratio and output for your choice.
- ◆ Wheels, tires and all other necessary parts included.
- ◆ Easy to follow instruction manual included.

## Tools You May Need



+ Screwdriver



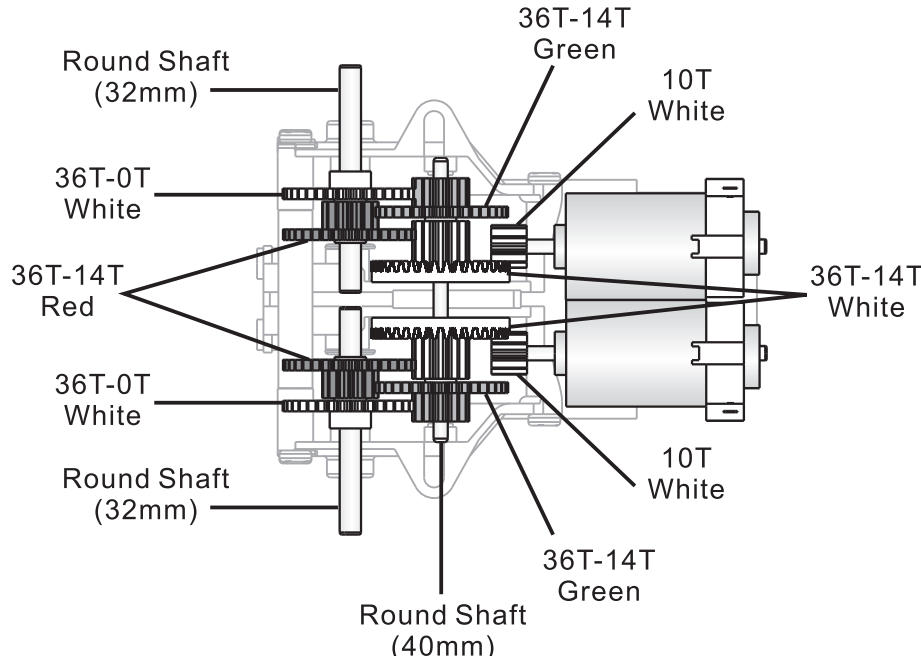
Pliers



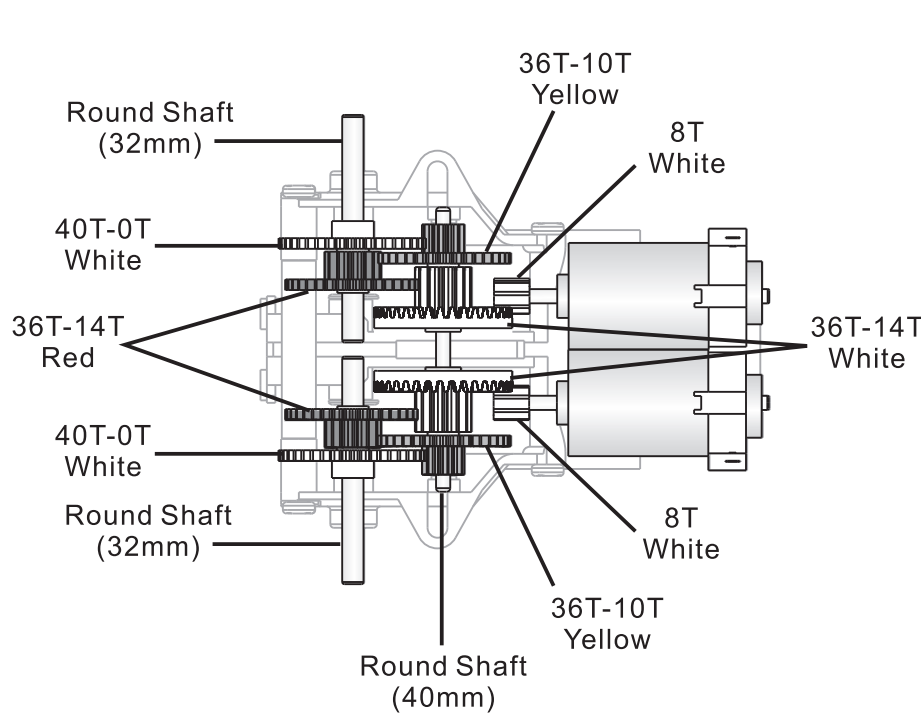
Side Cutter

## Gear Ratio

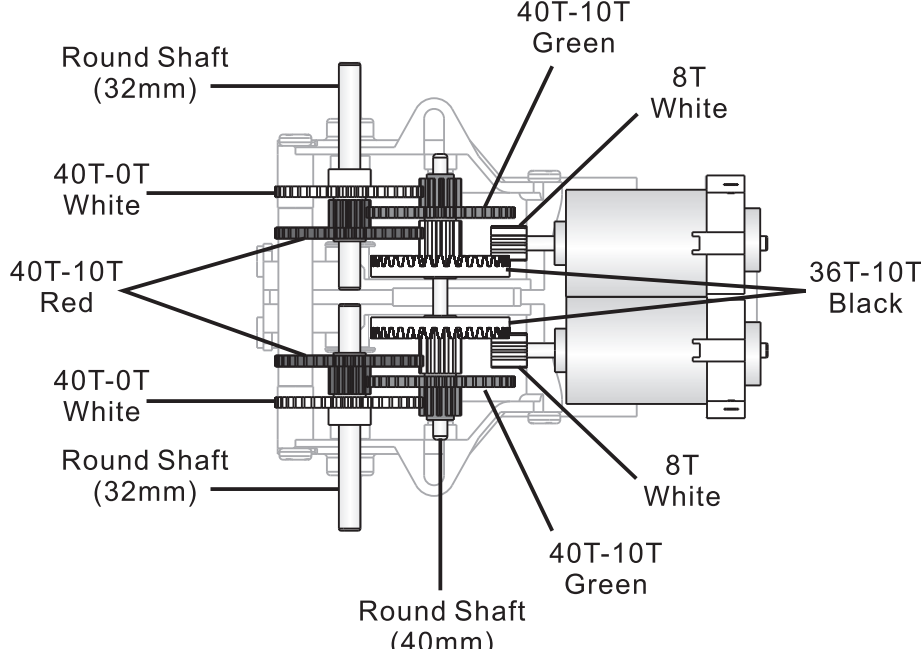
### A 1:60 Gear ratio / 200 RPM output



### B 1:120 Gear ratio / 100 RPM output



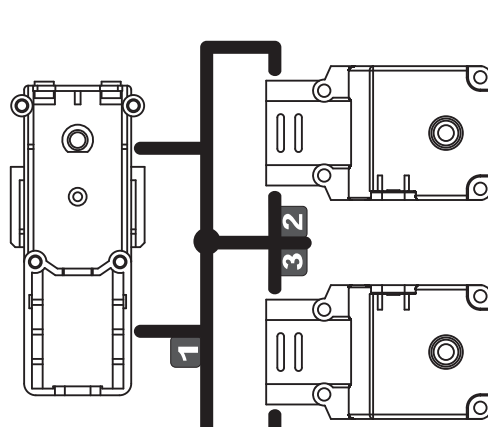
### C 1:288 Gear ratio / 42 RPM output



## Mechanical Parts List

P1	Motor	Qty	2	P2	Gear 8T	Qty	2	P3	Gear 10T	Qty	2	P4	Gear 36T/10T	Qty	2
					White (small)				White (big)				Black		
P5	Gear 36T/10T	Qty	2	P6	Gear 36T/14T	Qty	2	P7	Gear 36T/14T	Qty	2	P8	Gear 40T/10T	Qty	2
	Yellow				White				Red (small)				Red (big)		
P9	Gear 36T/14T	Qty	2	P10	Gear 40T/10T	Qty	2	P11	Gear 36T/0T	Qty	2	P12	Gear 40T/0T	Qty	2
	Green (small)				Green (big)				White (small)				White (big)		
P13	Nylon Connector	Qty	2	P14	Round Shaft	Qty	1	P15	Tapping Screw	Qty	8 (2.6x14)	P16	Machine Screw	Qty	2 (2.6x10)
					40mm										
P17	Tapping Screw	Qty	2 (2.6x6)	P18	Tapping Screw	Qty	2 (2.6x6)	P19	Washer	Qty	2	P20	Nut	Qty	2
P21	Eyelet	Qty	4	P22	Round Spacer	Qty	2	P23	Wheel	Qty	2	P24	Tire	Qty	2

## Plastic Part

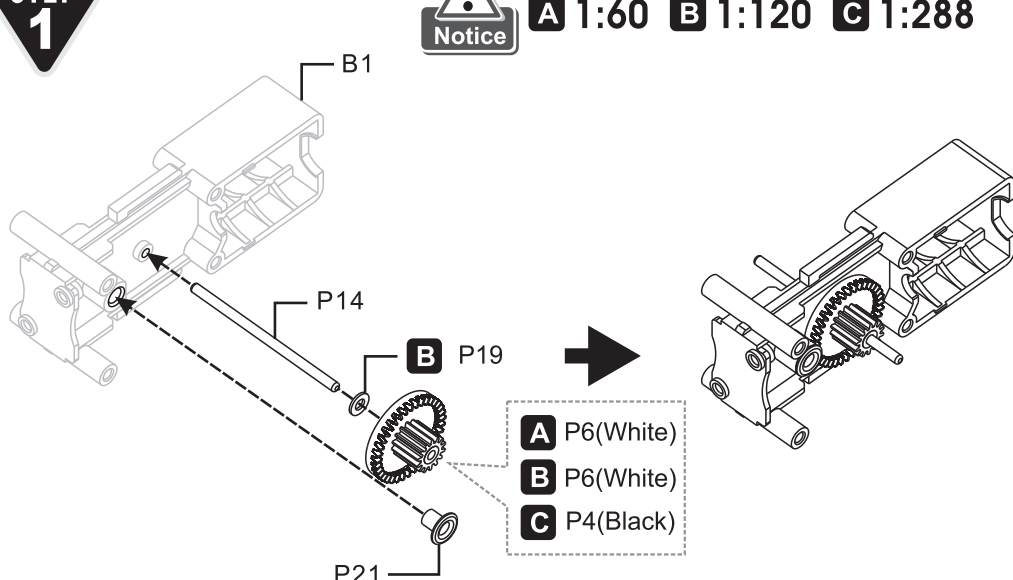


## Gear Box Assembly

STEP 1



A 1:60 B 1:120 C 1:288



**STEP 2**

**Notice** **A 1:60 B 1:120 C 1:288**

**A** P9(Green)  
**B** P5(Yellow)  
**C** P10(Green)

**A** P7(Red)  
**B** P7(Red)  
**C** P8(Red)

**A** P11(White)  
**B** P12(White)  
**C** P12(White)

P21  
P22

**A 1:60**  
P6(White) P9 (Green)  
P7(Red) P11 (White)

**B 1:120**  
P6(White) P5 (Yellow)  
P19(Washer) P7(Red) P12 (White)

**C 1:288**  
P4(Black) P10 (Green)  
P8(Red) P12 (White)

**STEP 3**

**A** P3(White)  
**B** P2(White)  
**C** P2(White)

P1  
B3  
P15x4

**STEP 4**

**B** P19

**A** P6(White)  
**B** P6(White)  
**C** P4(Black)

P21

**A** P3(White)  
**B** P2(White)  
**C** P2(White)

**STEP 5**

**A** P9(Green)  
**B** P5(Yellow)  
**C** P10(Green)

**A** P7(Red)  
**B** P7(Red)  
**C** P8(Red)

**A** P11(White)  
**B** P12(White)  
**C** P12(White)

P22  
P21

**A 1:60**  
P9 (Green) P6(White)  
P11 (White) P7(Red)

**B 1:120**  
P5 (Yellow) P6(White)  
P12 (White) P7(Red) P19(Washer)

**C 1:288**  
P10 (Green) P4(Black)  
P12 (White) P8(Red)

**STEP 6**

B2  
P15x4

**Application**

**1**

P16x2  
Article  
Ø2.8mm  
P20x2

**2**

P17x2  
Article  
Ø2.3mm

**3**

Ø4.3~4.4mm  
Article  
P18x2

**4**

P23  
P24

**5-1**

P13  
PUSH!

**5-2**

P13  
PUSH!