

USB Digital Microscope

User's
Manual

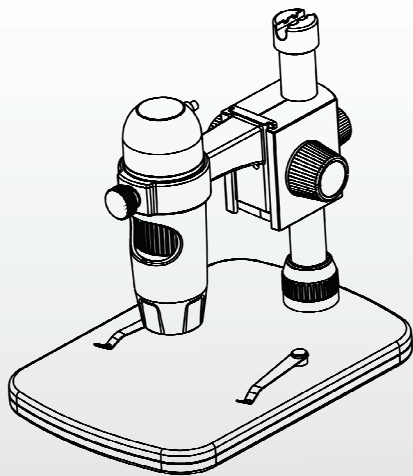


Table of Contents

| | |
|---|----|
| Precaution..... | 2 |
| Preparation..... | 4 |
| ● Standard accessories..... | 4 |
| ● Parts Names & Functions..... | 5 |
| ● Computer System requirements..... | 6 |
| ● Technical Specifications..... | 6 |
| Install the microscope on to the stage..... | 7 |
| How to get focus..... | 12 |
| Install the software in Windows..... | 13 |
| Start Microscope..... | 14 |
| Software functions..... | 15 |
| ● Capture Photo..... | 15 |
| ● Capture Video..... | 15 |
| ● Timer..... | 16 |
| Calibration and Measurement..... | 17 |
| ● Calibration..... | 17 |
| ● Measurement..... | 23 |
| ● Change Calibration..... | 24 |
| ● Draw and text..... | 27 |
| Software Interface Instructions..... | 28 |
| ● Main Interface Icons..... | 28 |
| ● Main Menu..... | 29 |
| ● Options..... | 30 |
| ● Capture..... | 31 |
| ● Measurement Interface Instruction..... | 32 |
| Instructions for Mac software..... | 33 |
| ● Install the Software in Mac | 33 |
| ● Use MicroCapture Plus in Mac..... | 33 |

Welcome

Thank you for your choice of our product - it is a high-tech while easy to use Digital Microscope. With this unit you will see a unique and “bigger” world.

It's easy to zoom in on stamps, coins, paper currency, plants, insects, rocks and minerals, and so much more. We recommend reading this manual first to get the best out of this unit.

1. Precaution

Before using The USB Digital Microscope, please ensure that you read and understand the safety precautions described below. Always ensure that the USB Digital Microscope is operated correctly.

- The Microscope is not waterproof, so keep it dry.
- Do not use it in a humid place like bathrooms. A dry environment will maintain its life to maximum.
- Use the Microscope only at -5°C - 50°C .
- Sudden temperature change may form dew inside the Microscope like entering a warm room in cold winter. Put it inside a handbag or plastic bag to slow down temperature changes.

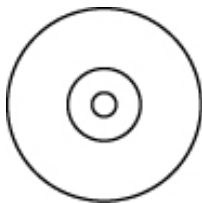
- Do not point Microscope lens to the sun or strong light for a long time. Powerful light may hurt the light-sensitive electronics.
- Avoid touching the lens.
- The white LEDs which illuminate the Microscope target field are very bright. Do not stare directly into these LEDs as it may damage your eyes.
- The clear plastic distance shell sometimes picks up dirt or toxic material from a microscopically observed surface. Be careful that this doesn't get in contact with the human skin. Always wash carefully or disinfect as needed.
- Do not unplug the Microscope from USB port when LEDs are on. This may cause information loss or circuit damage. Please always close MicroCapture Plus and then unplug the Microscope.

2. Preparation

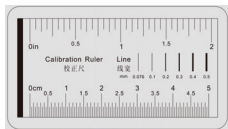
■ Standard accessories



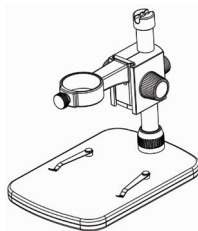
Microscope



CD



Calibration Ruler

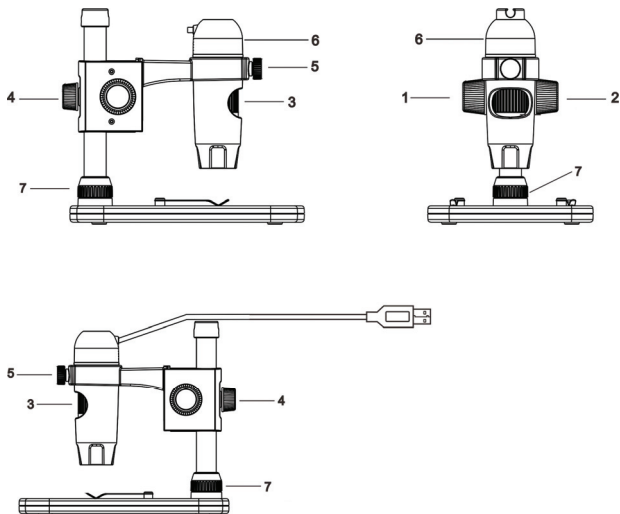


Stand



Manual

■ Parts Names & Functions



- 1) - Rotate to lock the movement
- 2) - Move the microscope up and down
- 3) - Rotate to adjust focus
- 4) - Fix the movement part on to the metal pole
- 5) - Hold the microscope in the ring
- 6) – Adjust LED brightness
- 7) - Fix the metal pole on the stage

■ Computer System Requirements

- * Windows 7 / 8 / 10, Mac 10.12 and later
- * P4 1.8 or above
- * RAM: 1GB
- * Video Memory: 126M
- * USB port: 2.0
- * CD-ROM Drive

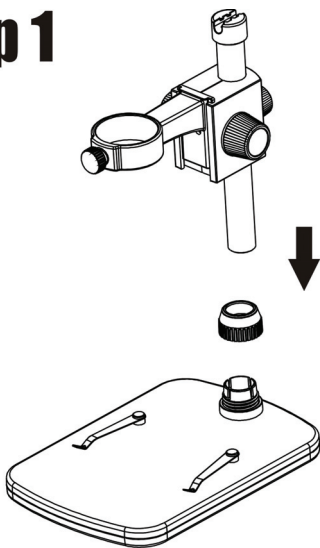
■ Technical Specifications

| | |
|--------------------------|--|
| Image sensor | 5 Mega Pixels (true resolution) |
| Still capture resolution | 2592x1944, 2320x1744, 2048x1536,1920x1080, 1280x1024 |
| Video capture resolution | 2592x1944, 2320x1744, 2048x1536,1920x1080, 1280x1024 |
| Focus Range | Manual focus from 0mm to 150mm |
| Magnification Ratio | 10x~300x |
| Video format | AVI |
| Photo format | JPEG |
| Light source | LEDs (brightness adjustable) |
| PC interface | USB2.0 |
| Power source | 5V DC from USB port |
| Operation system | Windows 7 / 8 / 10, Mac 10.12 and later |
| OSD language | English, Deutsch, Spanish, Russian, Italian, French, Portuguese, Dutch, Polish, Japanese, Korean, Chinese |
| Bundle software | MicroCapture Plus (with measurement for Win/Mac) |
| Size | Microscope: 110mm (L) x 33mm (R) Professional Stand: 165mm(L) x118mm(W)x12mm (H) |

3. Install the microscope on to the stage

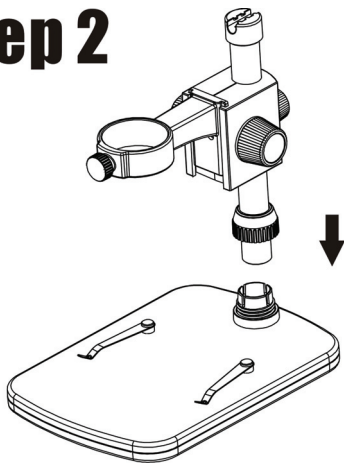
- 1) Take the microscope out from gift box gently; put the carriage stage on a flat surface.
- 2) Follow the below steps:

Step 1



Put the metal pole through Screw-7.

Step 2



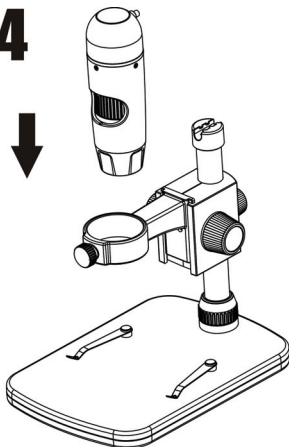
Put the metal pole into the female part of the stage.

Step 3



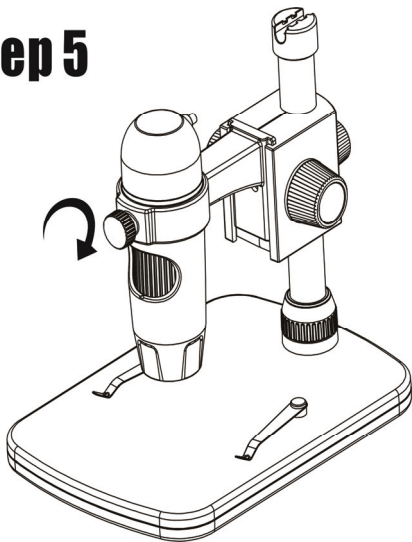
Rotate Screw-7 to fix the pole on the stage.

Step 4



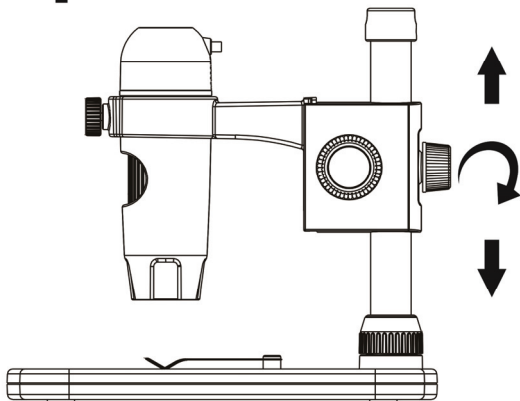
Put the
microscope into
the ring of the
stand.

Step 5



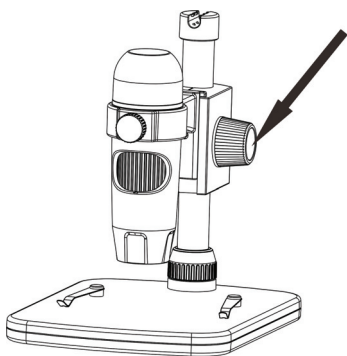
**Rotate Screw-5
clockwise to
hold the
microscope in
the ring.**

Step 6

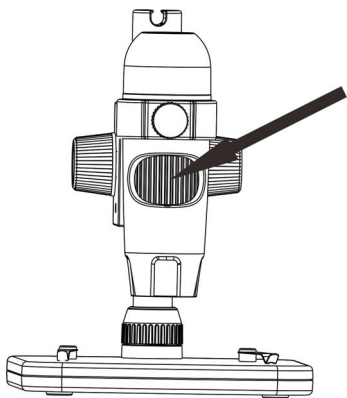


- (1) Adjust the upper part of the stand to get a proper height.**
- (2) Rotate Screw-4 clockwise to fix the upper part.**

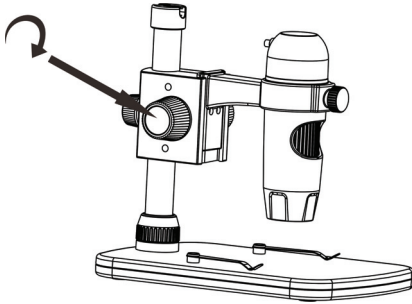
4. How to get focus



**Rotate Screw-2
to get a rough
focus.**



**Rotate Tube-3
to get a fine
focus.**



**Rotate Screw-1 to
lock or release the
movement.**

5. Install the software in Windows

Insert the driver CD into CD-ROM Drive and then open for Windows, you will see the Setup file.

1) Install MicroCapture Plus

Open the folder **for Windows**, double click to install **MicroCapture Plus** and the installation wizard will guide you through the whole process.

Note: If your OS is Win7, please also install the patch for Win7.

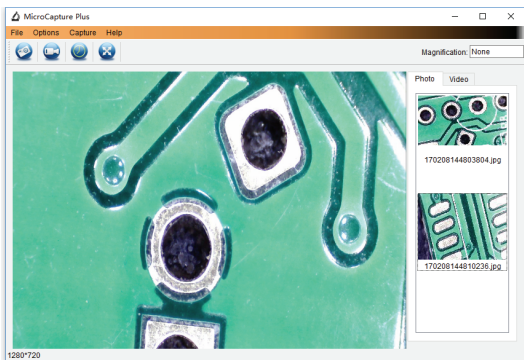
2) Full user's manual can be viewed by clicking the folder **Manual**.

6. Start Microscope

Connect your Microscope to your PC USB port, start the



software by clicking the icon generated on the desktop after installation and you will see the following screen pop up.




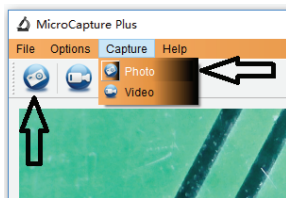
When the Microscope is disconnected from your PC USB port, the following message will pop up.

**No Device detected, please
connect your Microscope
directly to your PC USB port.**


7. Software functions

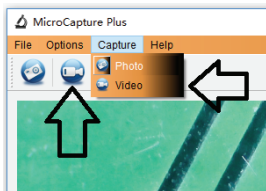
■ Capture Photo

- Click 'Photo' shortcut icon  in the main menu bar.
- Click 'Capture > Photo'.



■ Capture Video

- Click 'Video' shortcut icon  in the main menu bar.
- Click 'Capture > Video'.



■ Timer (Photo / Video)



Click 'Timer' shortcut icon in the main menu bar.

The screenshot shows a dialog box titled "Timer" with a close button (X) in the top right corner. It has two radio buttons: "Photo" (selected) and "Video". Below these are four input fields: "StartTime" (2012/04/18 13:39:07), "Interval(sec):" (10), "Video time(sec):" (10), and "Total Number:" (10). A "Captured Number:" label is positioned to the left of a large empty rectangular area. At the bottom are "Start" and "Stop" buttons.

* Under Timer photo, you can set the start time, interval time and total picture number.

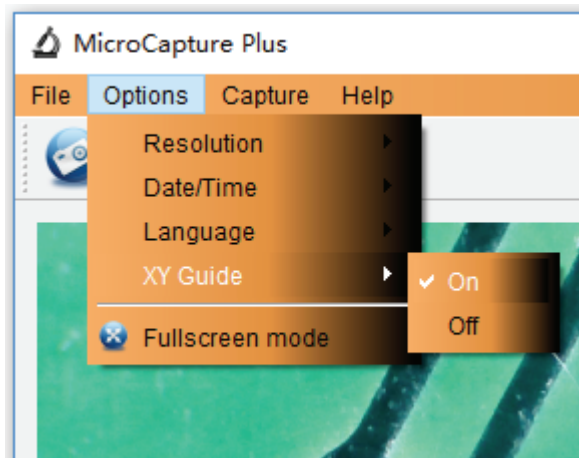
* Under Timer video, you can set the start time, interval time and total video number.

■ Calibration and Measurement

Please make calibration before measurement.

Calibration

Display Crossing from 'Options>Crossing'.



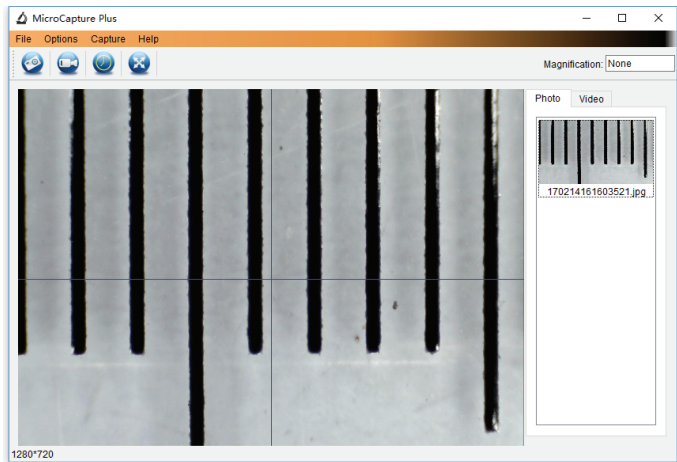
Microscope default at crossing “on”

It's used to check the dial on the calibration ruler.

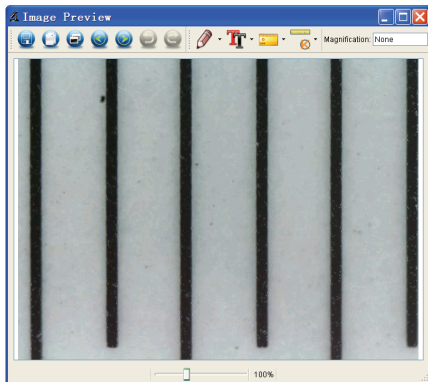
1). Focus microscope on the attached calibration ruler

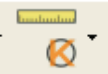


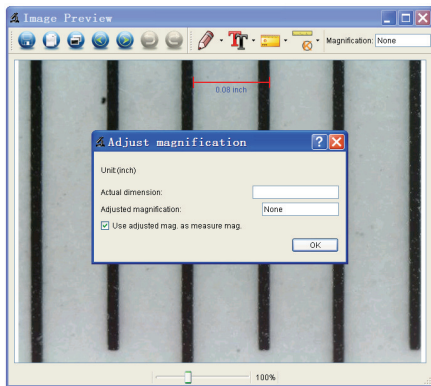
and then adjust the magnification till the picture is clear. Take a picture for the selected area when the dial is parallel to the crossing as below.



2). Double-click on the picture to enter into measurement interface as below.

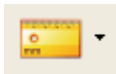


3). Click Calibration icon , and then move mouse to the picture. Click on the beginning and ending points across a known value. Now a dialog will popup as below and you need to enter the exact value of the measurement sample into 'Actual dimension'. Then the software will automatically calibrate the magnification rate. Click 'OK' and the adjusted magnification rate will show in the upper right corner.

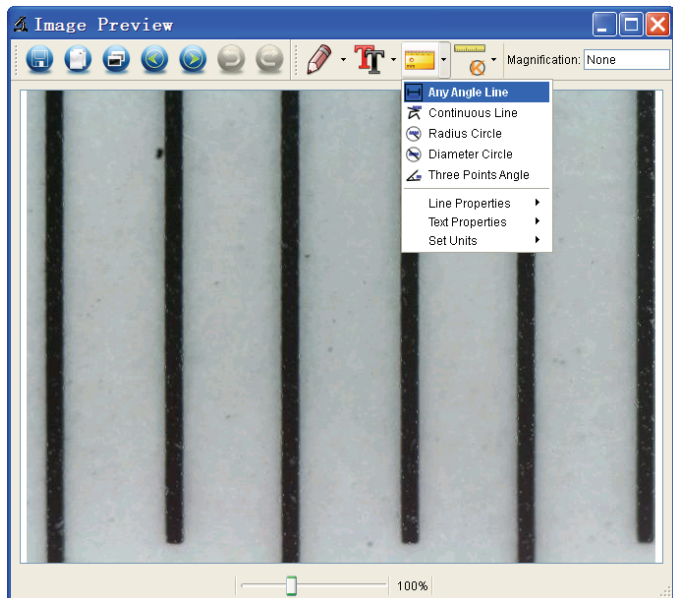


* Remark: The measured line should be paralleled.


4). Now you can use 'Any angle Line' under Measurement



icon to measure the value again. If the value you measure by software is nearly the same as the exact value of the dial means the calibration finish.



Measurement

Double-click on the picture to enter into measurement interface. Under the 'Measurement' icon  , you can choose any desired options to measure.

1). Any Angle Line Measurement

Simply click from one point and drag to the next point, and then release the click.

2). Continuous Line Measurement

The Continuous Line measurement allows you to measure any continuous desired length.

Simply click and drag from one point to other desired points, and then release the click.

3). Radius Circle Measurement

Simply click and extend out to the desired radius, the radius, circumference and area of the circle will show up accordingly.

4). Diameter Circle Measurement

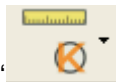
Simply click and extend out to the desired diameter, the diameter, circumference and area of the circle will show up accordingly.

5). Three Points Angle Measurement

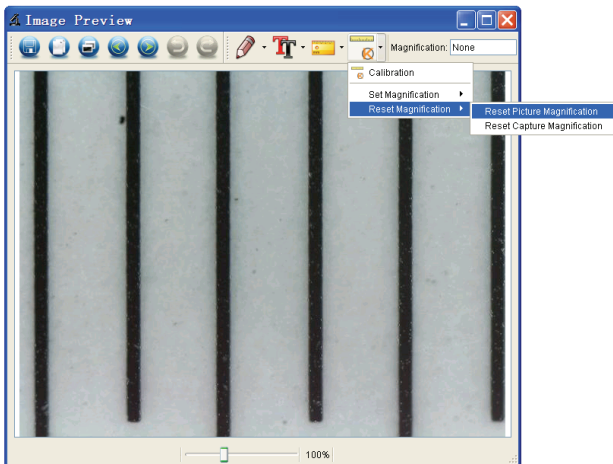
Simply define any three points angle and click, the angle value will then display.

Change Calibration

If you need to change the magnification rate and adjust focus to capture picture, please calibrate the magnification rate again.



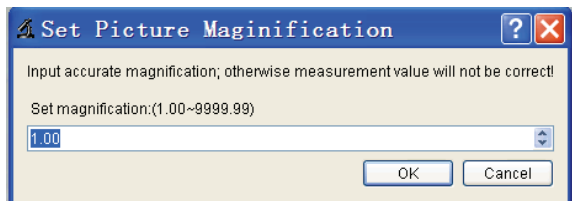
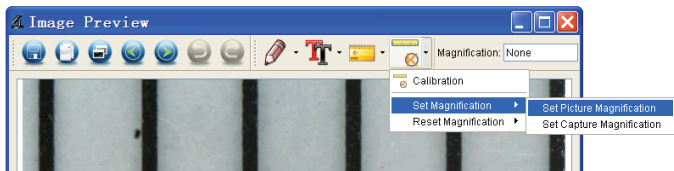
1). Double click to open the picture, Click ' > Reset magnification > Reset picture magnification' as below. And then start calibration again (Calibration details please refer to page37).



2). Change the magnification rate and capture several pictures, click on the picture to enter into measurement



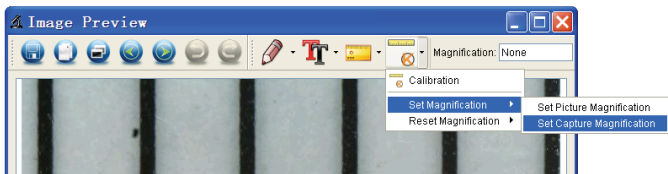
interface. And click 'Set magnification > Set picture magnification', now a dialog will show up as below; enter the magnification rate into the dialog and click 'OK'.



3). If you want to use the same magnification rate to



capture pictures, just click ' > Set magnification >Set capture magnification'. Now all pictures will use the same magnification rate and you can start measurement directly.

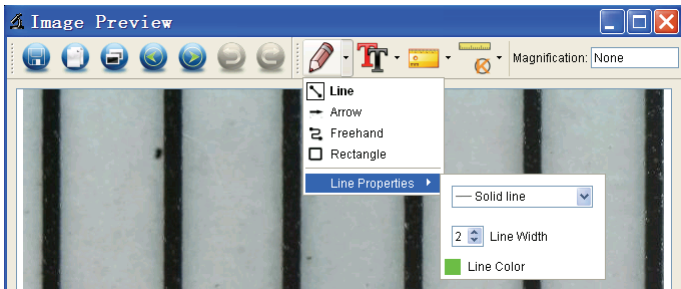


Draw and Text

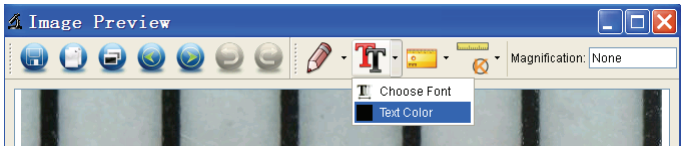
You can draw or add a text on the picture and save for later analysis.



1). Click icon to choose any kinds of drawing under the pull-down manual as below.



2). Click icon and set the font for the text in the popup dialogue as below.



8. Software Interface Instructions

Main Interface Icons



Capture photo – It's used to capture photo one by one.



Start / Stop record video.



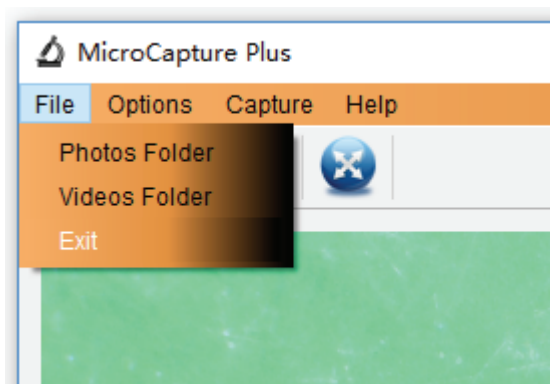
Timer for photo / video – Set the start time, interval time and total photo/video number.



Full screen mode,
Press ESC or double-click to exit.

Main Menu

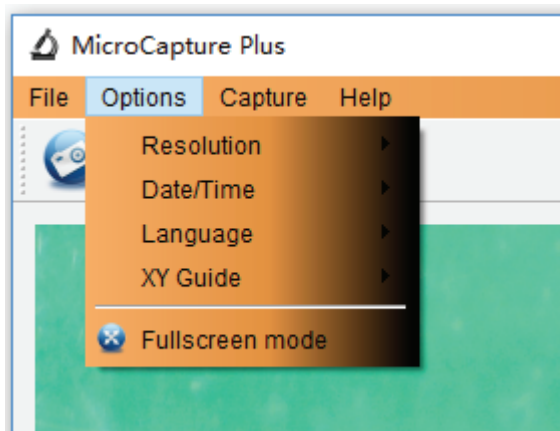
File



Photos Folder: set the directory to store photos taken;

Videos Folder: set the directory to store video taken;

Options



Resolution: change preview size

Date/Time: set to display system date/time on preview window

Language: choose different OSD language

XY Guide: display cross on preview window

Full-screen mode: enter into full screen. Click ESC or double click to exit

Capture



Photo: take a photo

Video: record a video clip

Measurement Interface Instructions



Save as



Redo



Copy to
clipboard



Draw



Copy file



Text note



Previous



Measurement



Next



Calibration

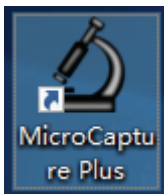


Undo

Instructions for Mac software

I-Install the software in Mac

Open **for Mac** folder from the disc and click **MicroCapture Plus** to finish the installation process. And then there will be icon generated on the desktop as follows.



II-Use MicroCapture Plus in Mac

The use of the software is the same as that of Windows. So please refer to the previous instructions for Windows.

This symbol on the product or in the instructions means that your electrical and electronic equipment should be disposed at the end of its life separately from your household waste. There are separate collection systems for recycling in the EU.



For more information, please contact the local authority or your retailer where you purchased the product.